

**FRONT ELEVATION 1/4"=1'-0"**

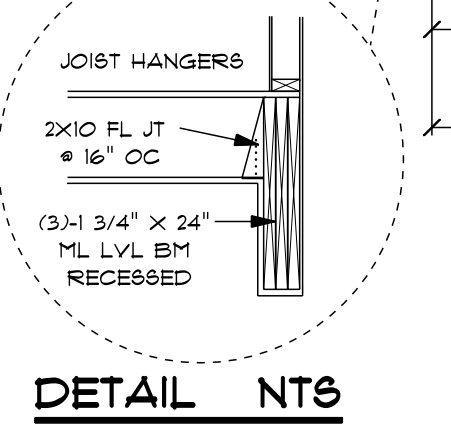
| WINDOW SCHEDULE   |                                  |                               |               |                                 |             |                 |          |                 |
|---|----------------------------------|-------------------------------|---------------|---------------------------------|-------------|-----------------|----------|-----------------|
| TYPICAL HEADER: 2" X 10"  |                                  | TYPICAL HEADER HEIGHT: 6'-10" |               | (EXCEPTIONS ARE NOTED ON PLANS) |             |                 |          |                 |
| NOTE: ALL LUMBER SPECIES FOR HEADERS, JOISTS, AND BEAMS TO BE KD SPRUCE NO. 2 OR BETTER. ALL LOADS FOR FLOOR JOISTS, RAFTERS, HEADERS AND BEAMS ARE BASED ON THE FOLLOWING: FLOOR JOISTS LIVING AREAS: 40 PSF LIVE LOAD, 20 PSF DEAD LOAD. FLOOR JOISTS SLEEPING AREAS: 30 PSF LIVE LOAD, 20 PSF DEAD LOAD. |                                  |                               |               |                                 |             |                 |          |                 |
| MANUFACTURER (OR EQUIVALENT)  | HARVEY WINDOWS MIN. U-FACTOR .29 | UNIT                          | ROUGH OPENING | TYPE                            | QTY         | AREA / BILL FFF | NET AREA | DESIGN PRESSURE |
| A   | 2850-2                           | 5'-6 1/4" X 5'-5 1/2"         | DH MUL        | 2                               | 30.0 / 1.8" | 5.86 EA         | 30       |                 |
| B   | 2846-2                           | 5'-6 1/4" X 4'-9 1/2"         | DH MUL        | 3                               | 24.0 / 2.1" | 5.03 EA         | 30       |                 |
| C   | 2852                             | 2'-0" X 5'-5 1/2"             | DH            | 6                               | 15.0 / 1.5" | 5.86            | 30       |                 |
| D   | 2832                             | 2'-0" X 3'-5 1/2"             | DH            | 3                               | 9.5 / 3.5"  | 3.31            | 30       |                 |
| E   | 2846                             | 2'-0" X 4'-9 1/2"             | DH            | 5                               | 13.2 / 2.1" | 5.03            | 30       |                 |
| F   | 2062-2                           | 4'-2 1/4" X 6'-5 1/2"         | DH MUL        | 1                               | 13.2 / 2.1" | 5.03            | 30       |                 |
| G   | 2862                             | 2'-0" X 6'-5 1/2"             | DH            | 1                               | 13.2 / 2.1" | 5.03            | 30       |                 |
| H   | 4800                             | 4'-0 1/2" X 4'-0 1/2"         | CABEMENT      | 1                               | VERIFY      | VERIFY          | 30       |                 |
| I   | CUSTOM                           | 5'-0 1/2" X 5'-0 1/2"         | FIXED         | 3                               | VERIFY      | VERIFY          | 30       |                 |
| J   | CUSTOM                           | 4'-6 1/2" X 5'-0 1/2"         | FIXED         | 1                               | VERIFY      | VERIFY          | 30       |                 |

| DOOR SCHEDULE  |              |                               |    |
|--|--------------|-------------------------------|----|
| TYPICAL HEADER: 2" X 10"   |              | TYPICAL HEADER HEIGHT: 6'-10" |    |
| (EXCEPTIONS ARE NOTED ON PLANS)  |              |                               |    |
| INTERIOR AND EXTERIOR DOOR SIZES ARE NOTED ON PLANS. INTERIOR DOORS: 6'-10" HIGH (TYPICAL). EXTERIOR DOORS: 6'-10" HIGH (TYPICAL). |              |                               |    |
| MINIMUM DESIGN PRESSURE FOR SLIDERS / FRENCH DOORS   | 20           |                               |    |
| DESIGN PRESSURE REQUIRED   | 21.8 / -23.6 | DESIGN PRESSURE PROVIDED      | 30 |

**THESE DRAWINGS ARE IN ACCORDANCE WITH THE FOLLOWING DESIGN CRITERIA.**

- RIBSC - 2 - 2015
- WIND DESIGN: ZONE 2 (110 MPH)
- LOAD DESIGN: 40 PSF LIVING AREA LOADS, 30 PSF SLEEPING AREA LOADS, 20 PSF DEAD LOADS, 60 PSF ATTIC LOADS, 60 PSF EXTERIOR DECK LOADS, 30 PSF SNOW LOADS
- FROST DEPTH: MINIMUM 3'-6" DEEP
- CLIMATE ZONE: 5A
- CONSTRUCTION TYPE: 5B
- OCCUPANCY TYPE: R3
- BUILDING HEIGHT: (MAXIMUM 35'-0") MEASURED FROM TOP OF FOUNDATION TO RIDGE
- ALL INSULATION IN EXTERIOR WALLS ARE BASED ON THE MINIMUMS AS PER THE PRESCRIPTIVE METHOD OF TABLE N102.1.2 OF THE ENERGY CONSERVATION CODES.



POINT LOAD FROM ABOVE  
 PROVIDE THE FOLLOWING:  
 (1) SOLID BLOCKING BETWEEN BEAM (OR SILL) AND FLYWOOD SUBFLOOR  
 (2) A MINIMUM OF THREE STUDS IN A BEARING WALL AS BEAM JACKS

**FIRST FLOOR PLAN 1/4"=1'-0"**

**FIRST FLOOR PLATE HEIGHT 9'-0"**

1887 SQ FT

2x6 STUDS @ 16" OC AT ALL EXTERIOR WALLS UNLESS OTHERWISE NOTED

DLR DIMENSIONS, INC. IS NOT LIABLE FOR FURTHER CHANGES TO NOTES, DIMENSIONS, AND/OR DRAWINGS. BUILDER/CONTRACTOR MUST VERIFY ALL DIMENSIONS AND INSURE COMPLIANCE WITH LOCAL CODES PRIOR TO AND DURING CONSTRUCTION.

**DLR DIMENSIONS, INC.**  
 RESIDENTIAL DESIGNERS

612 GREENWICH AVENUE WARWICK, RHODE ISLAND 02886  
 PHONE: (401) 738-3156 EMAIL: dlrdimensions@gmail.com

**CUSTOM COLONIAL**  
 LOT 14, ROCKWAY DR, EAST GREENWICH, RI

|  |          |                               |
|--|----------|-------------------------------|
| SCALE NOTED                                | APPROVED | DRAWN BY DRR                  |
| DATE Thursday, May 31, 2018                |          | REVISID                       |
| PREPARED FOR:<br>COLUCH ORGANIZATION, LLC. |          | DRAWING NUMBER<br><b>5347</b> |

1 OF 4